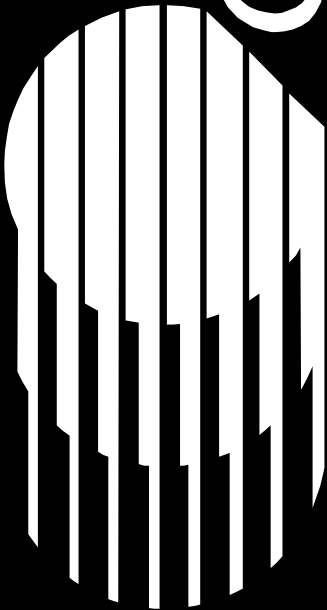


**CIRRUS LOGIC®**



**CS8900A**

# **Crystal LAN™ ISA Ethernet Controller**

The following information is based on the technical datasheet:

*CS8900A DS271PP2 DEC'98*

Please contact Cirrus Logic :  
Communications Products Division for further  
information.

---

**CRYSTAL®**  
**PRODUCT INFORMATION**

Copyright © Cirrus Logic, Inc. 1998  
(All Rights Reserved)

PI271PP1 DEC '98



---

**Crystal LAN™ ISA Ethernet Controller**

---

**Features**

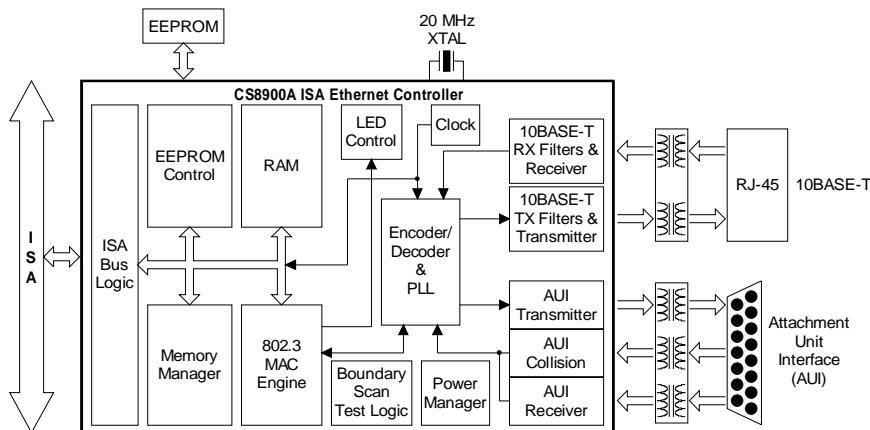
- Single-Chip IEEE 802.3 Ethernet Controller with Direct ISA-Bus Interface
- Maximum Current Consumption = 55 mA (5V Supply)
- 3 V Operation
- Industrial Temperature Range
- Comprehensive Suite of Software Drivers Available
- Efficient PacketPage™ Architecture Operates in I/O and Memory Space, and as DMA Slave
- Full Duplex Operation
- On-Chip RAM Buffers Transmit and Receive Frames
- 10BASE-T Port with Analog Filters, Provides:
  - Automatic Polarity Detection and Correction
- AUI Port for 10BASE2, 10BASE5 and 10BASE-F
- Programmable Transmit Features:
  - Automatic Re-transmission on Collision
  - Automatic Padding and CRC Generation
- Programmable Receive Features:
  - Stream Transfer™ for Reduced CPU Overhead
  - Auto-Switch Between DMA and On-Chip Memory
  - Early Interrupts for Frame Pre-Processing
  - Automatic Rejection of Erroneous Packets
- EEPROM Support for Jumperless Configuration
- Boot PROM Support for Diskless Systems
- Boundary Scan and Loopback Test
- LED Drivers for Link Status and LAN Activity
- Standby and Suspend Sleep Modes

## Description

The CS8900A is a low-cost Ethernet LAN Controller optimized for Industry Standard Architecture (ISA) Personal Computers. Its highly-integrated design eliminates the need for costly external components required by other Ethernet controllers. The CS8900A includes on-chip RAM, 10BASE-T transmit and receive filters, and a direct ISA-Bus interface with 24 mA Drivers.

In addition to high integration, the CS8900A offers a broad range of performance features and configuration options. Its unique PacketPage architecture automatically adapts to changing network traffic patterns and available system resources. The result is increased system efficiency.

The CS8900A is available in a 100-pin TQFP package ideally suited for small form-factor, cost-sensitive Ethernet applications. With the CS8900A, system engineers can design a complete Ethernet circuit that occupies less than 1.5 square inches (10 sq. cm) of board space.



## Overview

The CS8900A is a true single-chip, full-duplex, Ethernet solution, incorporating all of the analog and digital circuitry needed for a complete Ethernet circuit. Major functional blocks include: a direct ISA-bus interface; an 802.3 MAC engine; integrated buffer memory; a serial EEPROM interface; and a complete analog front end with both 10BASE-T and AUI.

---

## FAQs

1) What software drivers are available for the CS8900A?

A: We have all the most popular drivers available, including

- LINUX
- Microsoft
  - NDIS 2 DOS driver
  - NDIS 2 OS/2 driver
  - NDIS 3 drivers for:
    - Windows NT
    - Windows for Workgroups
    - Windows 95
    - Windows CE
- Novell
- ODI DOS driver
- ODI OS/2 driver
- ODI Server
- Packet Driver (TCP/IP)
- pSOS
- Real-time OS drivers
- RIPL (Remote Initial Program Load) for ODI and NDIS 2
- RTOS/NCOS (ARM and Oracle) - In development
- SCO
- Setup/installation Utility: EEPORG Utility (EEPROM programming utility)
- UNIX
- VxWorks

2) How can I get these drivers?

A: By request to [ethernet@crystal.com](mailto:ethernet@crystal.com), or calling James Ayres at 1 512 912 3827. A license agreement is required for source code of some drivers.

**Ordering Information**

CS8900A-CQ	0° to 70° C	100-pin TQFP
CS8900A-IQ	-40° to 85° C	100-pin TQFP
CS8900A-CQ3	0° to 70° C	100-pin TQFP
CRD8900A-1		Evaluation Kit

If you have any questions, please contact the undersigned by phone or by email. Also, visit our website “[www.crystal.com](http://www.crystal.com)” or call our literature department (800) 888-5016 ext. 3594 or (512) 912-3594 for data sheets and application notes.

**Schematic & Layout Review Service**

Confirm Optimum  
Schematic & Layout  
Before Building Your Board.

For Our Free Review Service  
Call Applications Engineering.



**C a l l : ( 5 1 2 ) 4 4 5 - 7 2 2 2**

# Sales Office and Applications Support

## **UNITED STATES**

### **Western Area**

Cirrus Logic, Inc.  
3100 West Warren Ave.  
Fremont, CA 94538  
Ph: 510-623-8300  
FAX: 510-252-6020

Southern California, Sales  
Westlake Village  
The Townsgate Executive Bldg.  
2659 Townsgate Road,  
Suite 238  
Westlake Village, CA 91361  
Ph: 805-371-5860  
FAX 805-371-5861

Cirrus Logic, Inc.  
6650 S.W. Redwood Lane,  
Ste. 105, First Floor Bldg. 16  
Portland, Oregon 97224  
Ph: 503-620-5547  
FAX: 503-620-5665

Cirrus Logic, Inc.  
827 Wellesley Ave.  
Los Angeles, CA 90049  
Ph: 310-820-6489  
FAX: 310-820-6180

### **Central Area**

Cirrus Logic, Inc.  
14205 Burnet Rd., Ste. 400  
Austin, TX 78728  
Ph: 512-255-8893  
FAX: 512-255-0733

Cirrus Logic, Inc.  
2500 W. Higgins Road, Ste. 1125  
Hoffman, Estates, IL 60195  
Ph: 847-884-6750  
FAX: 847-884-6795

### **Sotheastern Area**

Cirrus Logic, Inc..  
5511 Capital Center Dr., Ste. 103  
Raleigh, NC 27606  
Ph: 919-859-5210  
FAX: 919-859-5334

Cirrus Logic International  
3998 NW 8th Ave., Ste. 300  
Boca Raton, FL 33431  
Ph: 561-395-1613  
FAX: 561-395-1373

### **Northeastern Area**

Cirrus Logic, Inc.  
10 New England Business  
Center, Ste. 100  
Andover, MA 01810  
Ph: 978-794-9992  
FAX: 978-794-9998

Cirrus Logic, Inc.  
10440 Little Patuxent Pkwy.,  
Ste. 300  
Columbia, MD 21044-3559  
Ph: 410-740-5654  
FAX: 410-740-6961

## **EUROPE**

Cirrus Logic International SARL  
Immeuble Andre Malraux  
1 rue de Rome  
F-93561 Rosny-sous-Bois  
CEDEX, France  
Ph: +33148122812  
FAX: +33148122810

Cirrus Logic UK.  
Anglers Court  
4-5 Spittal St.  
Marlow  
Bucks, England SL7 1DB  
Ph: +44(0)1628 472 211  
FAX: +44(0)1628 486 114

Cirrus Logic GmbH  
Muehlfelder-Strasse 2  
D-82211 Herrsching, Germany  
Ph: +49815292460  
FAX: +498152924699

## **FAR EAST**

### **China**

Cirrus Logic International Ltd.  
A-1403 Seg Paowah Bldg. No.  
1016  
Huaqiang N. Rd.  
Shenzhen, China 518031  
Ph: 86-755-3779537  
FAX: 86-755-3779734

### **Hong Kong**

Cirrus Logic International Ltd.  
1203 Park Tower  
15 Austin Rd., Tsimshatsui  
Kowloon, Hong Kong  
Ph: (852)2376-0801  
FAX: (852)2375-1202

### **Korea**

Cirrus Logic, Korea Co., Ltd.  
Rm 1302 SangKyung  
Bldg., 824-21 YeokSam-Dong,  
Kang Nam-Ku,  
Seoul, Korea  
Ph: +82(2)565-8561  
FAX: +82(2)565-8565

### **Singapore**

Cirrus Logic International Ltd.  
6 Kaki Bukit Ave. 1, Ste. 03-03  
Singapore 417940  
Ph: +65-743-4111  
FAX: +65-742-4111

### **Taiwan**

Cirrus Logic International Ltd.  
Taiwan Branch  
10F, No.214 Tun Hwa North Rd.  
Taipei, Taiwan R.O.C.  
Ph: +886(22)718-4533  
FAX: +886(22)718-4526

## **JAPAN**

Cirrus Logic K.K.  
Shinjuku Green Tower,  
Bldg. 26F  
6-14-1 Nishi-Shinjuku,  
Shinjuku-ku,  
Tokyo, Japan 160  
Ph: +81(03)3340-9111  
FAX: +81(03)3340-9120



**PO BOX 17847  
4210 S. INDUSTRIAL DRIVE  
AUSTIN, TEXAS 78744  
512.445.7222 / 800.888.5016  
FAX: 512.445.7581**

**WORLDWIDE WEB:  
<http://www.cirrus.com>**